



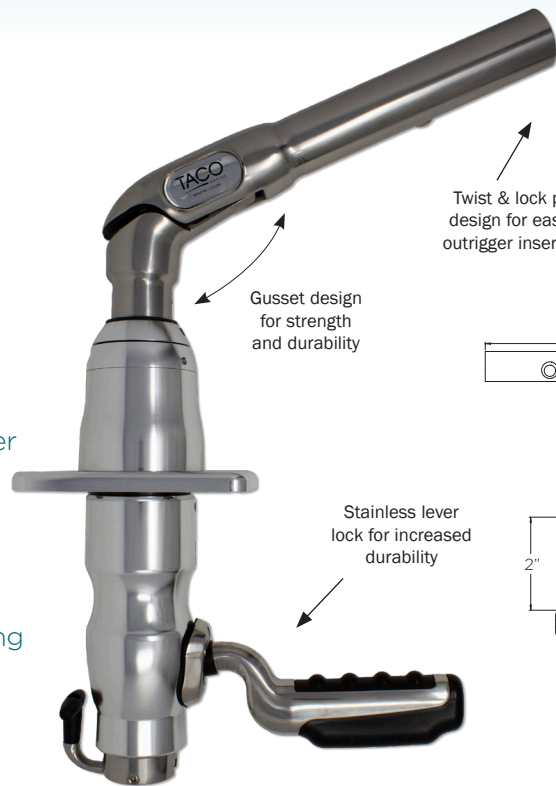
GRAND SLAM 380 OUTRIGGER MOUNT



The safety and convenience of deploying outriggers was our idea when creating the Grand Slam 380 Outrigger Mounts. Perfect for the 25' to 50' vessels, the ability to deploy your outriggers' vertical lift and horizontal rotation from the boat deck is valuable when in rough seas. After installing this set of mounts on your boat, the beautiful bases will streamline your boats appearance and make you want to chase pelagic species more often.

FEATURES & BENEFITS

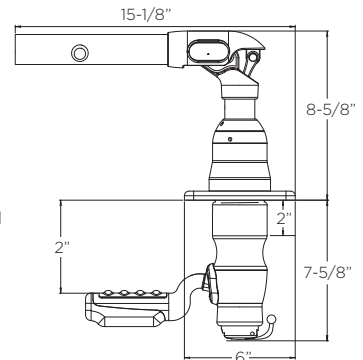
- Tested and proven quality
- Sleek appearance
- Allows for horizontal rotation from under the T-top
- Elevation Crank Handle provide lift from under the T-top
- Offset handle for better hand clearance
- Cast stainless steel and machined aluminum construction
- Strong, locking head allows perfect positioning
- 3-year limited warranty



Twist & lock pin design for easier outrigger insertion

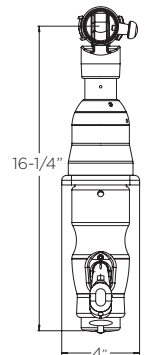
Gusset design for strength and durability

Stainless lever lock for increased durability



90° positioning for more lever rotation

Fold-up knob offers a larger, firmer grip that allows for quicker outrigger pole position adjustment.



PART #	DESCRIPTION	STD. PK.	UOM	UPC
GS-380	Grand Slam 380	2	Pair	630838082819